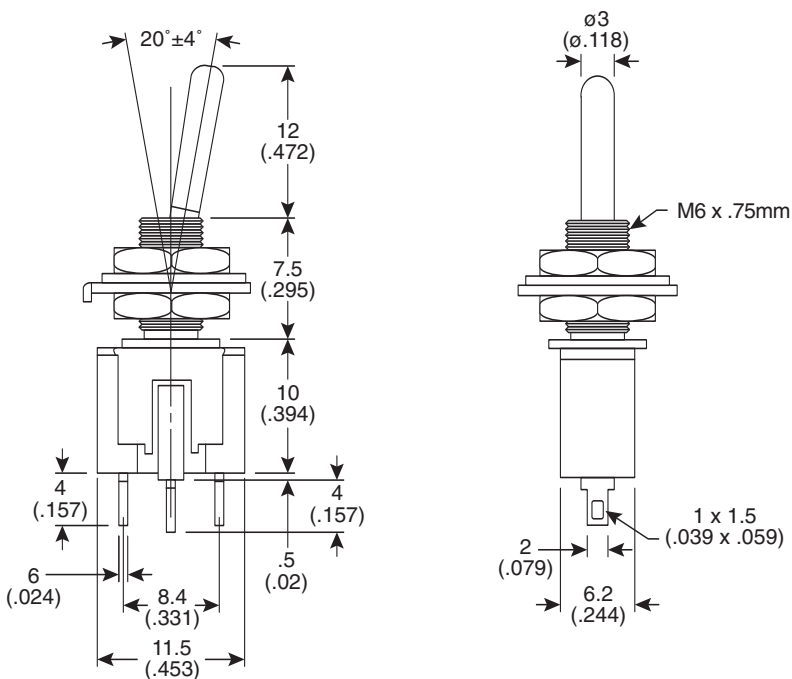
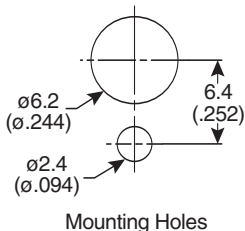
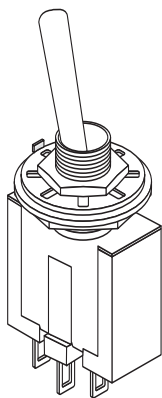


Dimensions: mm (In.)



Electrical Specifications:

- Rating: 6A/125VAC
- Contact resistance: 20mΩ max. @ 2.5VDC 1A
- Insulation resistance: 100MΩ min. @ 500VDC
- Dielectric strength: 1000VAC for 1 minute

Mechanical Specifications:

- Circuit: 3P SPDT, On-On

Note:

- Optional 10TB series color caps available

Miniature Toggle Switch
10TA830

